

NAPOLEON®
FIREPLACES



See Thru Vector™ 38 shown with amber CRYSTALINE™ ember bed.

NOW AVAILABLE

BRAND NEW VECTOR™ 38
PRODUCT CODE: LV38
LINEAR GAS FIREPLACE



For more information or to place an order call 1-800-461-5581 or visit napoleonfireplaces.com

Vector™ 38

With a sleek linear design and a multitude of designer options, Napoleon's Vector™ 38 linear gas fireplace provides a complete luxurious experience delivered courtesy of its new Divinity™ flame pattern. Available as a single sided or a two sided See Thru model, the radiant glow is enjoyed through the clear glass bead ember bed with the option of adding Beach Fire, Shore Fire or Mineral Rock media enhancement kits. The firebox experience can also be enhanced with either our popular Nickel Stix Designer Fire Art or River Rocks in grey or multi-color.

Product Features

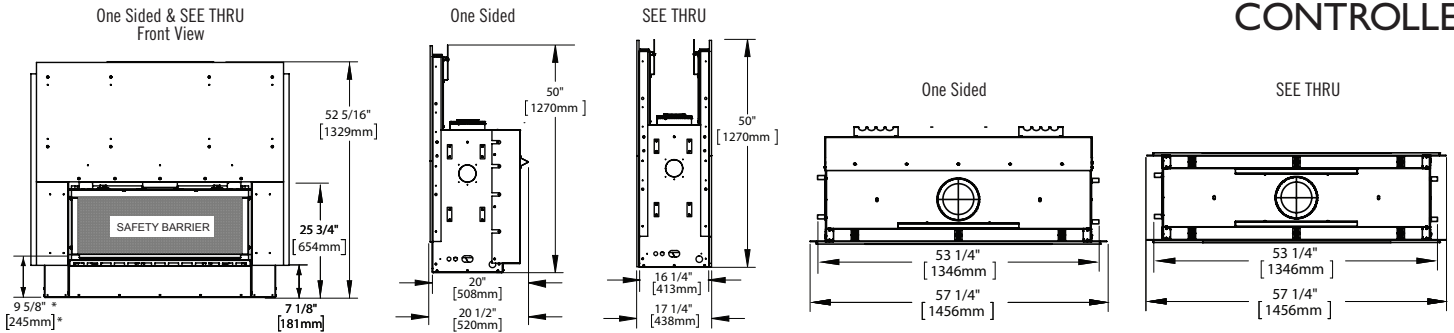
- Up to 30,000 BTU's
- Fuel saving electronic ignition with battery back-up
- Available as a single sided or See Thru (two-sided) unit
- External, easy access primary air adjustment control provides precise adjustments while fireplace is operating
- Heat radiating ceramic glass
- New Divinity™ flame pattern provides heightened peaks and valleys for a more compelling flame experience
- Includes CRYSTALINE™ clear ember bed featuring multi-colored LED lights that accent from underneath the ember bed
- MIRRO-FLAME™ Porcelain Reflective Radiant Panels and remote control are standard features
- Media enhancement kits (driftwood, river rocks, rocks/sand, nickel stix and colored glass – clear, amber, black, blue or red) can be added to any of the ember bed choices.
- Choice of optional fronts to suit your decor
- Optional hot air distribution kit



eFIRE REMOTE APP

Total control of your fireplace from the convenience of your mobile device

Napoleon's eFIRE app will revolutionize the way you use your fireplace. We have cracked the code and present to you the first fireplace to be controlled by Bluetooth®, using an intuitive app on your mobile device. Full mastery of your ember bed allows you to create every imaginable color, selecting the one that fits your mood, or your décor with ease, the simple color wheel tool swiftly scrolls through the full RGB color spectrum and you can set the mood with one touch. The ember bed mode instantly creates ambiance with the look of a softly glowing banked fire. Get the atmosphere without the heat, you can even cycle through and set the color with the fire off. Napoleon's eFIRE app also controls all functions on your fireplace; on/off, flame height and blower speed. True convenience.



Product Code	BTU's (Input)	Venting 5" & 8"	Height		Width		Depth		Glass Size		EnerGuide
			Actual	Framing	Actual	Framing	Actual	Framing	Height	Width	
LV38N	30,000	Top	52 5/16"	50"	57 1/4"	53 3/4"	20"	20 1/4"	15 3/4"	38 3/4"	71.8%
LV38N2 (SEE THRU)	30,000	Top	52 5/16"	50"	57 1/4"	53 3/4"	17 1/4"	N/A	15 3/4"	38 3/4"	71.8%

Certified under Canadian and American National Standards
 Figures may vary with individual conditions such as floor plan layout, insulation value/heat loss of the house and geographical location.

Consult your owner's manual for complete installation instructions, accurate framing dimensions and proper clearances to combustible material. Check all local and national building codes and gas regulations. All specifications are subject to change without prior notice due to on-going product improvements. Products may not be exactly as shown. Napoleon™ is a registered trademark of Wolf Steel Ltd. © Wolf Steel Ltd.



24 Napoleon Road, Barrie, Ontario, Canada L4M 0G8
 103 Miller Drive, Crittenden, Kentucky, USA 41030
 7200 Trans Canada Highway, Montreal, Quebec, Canada H4T 1A3
 Tel: 705-721-1212 Fax: 705-722-6031
 napoleonfireplaces.com



Authorized Dealer



Vector™ 38

Features/Options/Accessories



Flush Frame in brushed nickel
Shown with beach fire and shore fire media kits



Finishing Trim (shown on flush frame) in brushed nickel Shown with shore fire media kit



Surround in brushed nickel on SEE THRU model
Shown with clear glass beads and beach fire kit



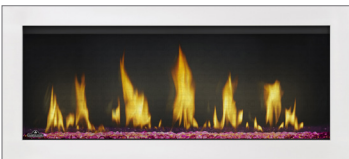
Flush Frame in black on SEE THRU model
Shown with clear glass bead and Nickel Stix



Finishing Trim (shown on flush frame) in black
Shown with shore fire, beach fire and mineral rock kits



Surround in black
Shown with beach fire and shore kits



Flush Frame in white
Shown with clear glass beads and LED lights set on pink



Finishing Trim (shown on flush frame) in white
Shown with shore fire, beach fire and mineral rock kits



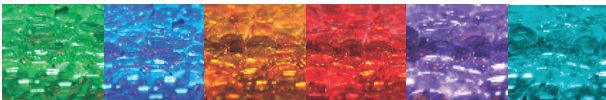
Surround in white on SEE THRU model
Shown with clear glass beads, Nickel Stix and LED lights set on green



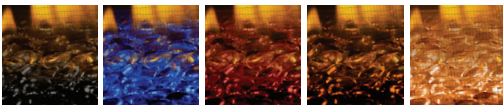
Hammered Steel Surround
Shown with clear glass beads and LED lights set on purple



MIRRO-FLAME Porcelain Reflective Radiant Panels



LED Ember Bed
Cycle and stop between shades of green, blue, orange, red, purple, teal



Glass Bead Ember Media Kits
Black, Blue, Red, Amber and Topaz



Designer Fire Art - Nickel Stix



Remote (included)



Combination of Beach Fire and Shore Fire kits shown with LED lights set on blue



Beach Fire Kit
Comes with four driftwood logs



Shore Fire Kit
Comes with grey rocks, sand, vermiculite, glass and sand pan



Mineral Rock Kit
Comes with rocks in a variety of shapes, sizes and colors

Certified under Canadian and American National Standards
Figures may vary with individual conditions such as floor plan layout, insulation value/heat loss of the house and geographical location.

Consult your owner's manual for complete installation instructions, accurate framing dimensions and proper clearances to combustible material. Check all local and national building codes and gas regulations. All specifications are subject to change without prior notice due to on-going product improvements. Products may not be exactly as shown. Napoleon® is a registered trademark of Wolf Steel Ltd. © Wolf Steel Ltd.



24 Napoleon Road, Barrie, Ontario, Canada L4M 0G8
103 Miller Drive, Crittenden, Kentucky, USA 41030
7200 Trans Canada Highway, Montreal, Quebec, Canada H4T 1A3
Tel: 705-721-1212 Fax: 705-722-6031
napoleonfireplaces.com



Authorized Dealer

